



# 贝得其他系列低压交流异步电动机

产 品 样 本



# 公司概况

## Company Profile



### 西门子电机（中国）有限公司

西门子电机（中国）有限公司是西门子在中国的独资企业，位于江苏省仪征市，占地面积为200亩。公司主要致力于研发和生产中小型低压三相异步电动机，目前生产符合 IEC 标准的西门子品牌三相异步电动机、以及按中国标准设计的贝得品牌系列三相异步电动机。

作为西门子在全球中小型低压电机产品的重要生产基地之一，公司将坚持秉承西门子尖端技术，采用西门子特色的现代化管理模式，严格按照国际标准 ISO9001:2008 实施全面质量管理，竭诚为广大客户提供优质的产品和服务！

### Siemens Standard Motors Ltd.

Siemens Standard Motors Ltd. (SSML) is a Siemens-owned company in China. With an area of 133,400 square meters, SSML is located in Yizheng City, Jiangsu Province. The company focuses on developing and producing small and medium low-voltage motors. Currently, SSML mainly produce Siemens brand low voltage AC motors according to IEC standards, and Beide brand low voltage motors designed according to China local standards.

As one of Siemens main low-voltage motor production facilities worldwide, SSML uses the knowledge and experience of more than 100 years in motor design and manufacturing, and implement comprehensive quality control according to ISO9001 2008. SSML will continuously serve customers with high quality products and good service.



公司概况 .....	2
Company Profile	
YD 系列变极多速三相异步电动机 .....	4
YD Series Change-Poles Multi-Speed Asynchronous Motors	
证书 .....	6
Certificates	

# YD 系列变极多速三相异步电动机

## YD Series Change-Poles Multi-Speed Asynchronous Motors



机座号: 80 ~ 280

额定电压: 380 V

额定频率: 50 Hz

冷却方式: IC411

防护等级: IP44

绝缘等级: B 级

环境温度: -15 ~ 40 °C

海拔高度: 不超过 1000 m

Frame size: 80 ~ 280

Rated voltage: 380 V

Rated frequency: 50 Hz

Cooling method: IC411

Protection degree: IP44

Insulation class: B

Coolant temperature: -15 ~ 40 °C

Site altitude: Up to 1000 m above sea level

### 概述

YD 系列变极多速三相异步电动机, 适用于需要逐级调速的各种传动机构。

### Introduction

YD series pole-changing multi-speed three-phase asynchronous motors can apply to various transmission mechanism which need control speed step by step.

### 安装型式 Mounting type

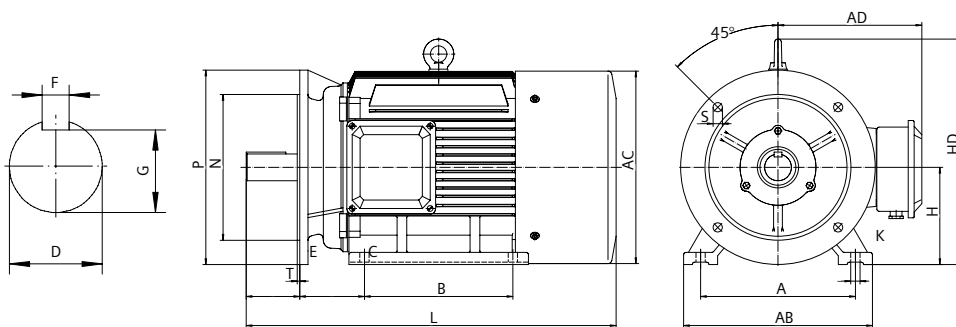
示意图 Diagram												
安装型式 (IM) Mounting type (IM)	B3	B5	B35	V1	V3	V5	V6	B6	B7	B8	V15	V36
机座号 Motor size	80 ~ 280	80 ~ 225	80 ~ 280	80 ~ 280	80 ~ 160							

### 规格表 Specification table

型号 Type	同步转速 Synchronous speed (r/min)			
	1500/3000	1000/1500	750/1500	500/1000
	极数 poles			
	4/2	6/4	8/4	12/6
功率 Power (kW)				
YD801	0.45/0.55			
YD802	0.55/0.75			
YD90S	0.85/1.1	0.65/0.85		
YD90L	1.3/1.8	0.85/1.1	0.45/0.75	
YD100L1	2/2.4	1.3/1.8	0.85/1.5	
YD100L2	2.4/3	1.5/2.2		
YD112M	3.3/4	2.2/2.8	1.5/2.4	
YD132S	4.5/5.5	3/4	2.2/3.3	
YD132M1	6.5/8	4/5.5	3/4.5	
YD132M2				
YD160M	9/11	6.5/8	5/7.5	2.6/5
YD160L	11/14	9/11	7/11	3.7/7
YD180M	15/18.5	11/14		
YD180L	18.5/22	13/16	11/17	5.5/10
YD200L1	26/30	18.5/22	14/22	7.5/13
YD200L2			17/26	9/15
YD225S	32/37	22/28		
YD225M	37/45	26/32	24/34	12/20
YD250M	45/52	32/42	30/42	15/24
YD280S		42/55	40/55	20/30
YD280M		55/67	47/67	24/37

## 安装及外形尺寸 Dimensions of mounting and Outline

机座号 Motor size	安装尺寸 (mm) Mounting Dimensions															外形尺寸 (mm) Outline Dimensions				
	H	A	B	C	D	E	F	G	K	M	N	P	R	S	T	AB	AC	AD	HD	L
80	80	125	100	50	19	40	6	15.5	10	165	130	200	0	12	3.5	165	175	150	175	290
90S	90	140	100	56	24	50	8	20	10	165	130	200	0	12	3.5	180	195	160	195	315
90L	90	140	125	56	24	50	8	20	10	165	130	200	0	12	3.5	180	195	160	195	340
100L	100	160	140	63	28	60	8	24	12	215	180	250	0	15	4	205	215	180	245	380
112M	112	190	140	70	28	60	8	24	12	215	180	250	0	15	4	245	240	190	265	400
132S	132	216	140	89	38	80	10	33	12	265	230	300	0	15	4	280	275	210	315	475
132M	132	216	178	89	38	80	10	33	12	265	230	300	0	15	4	280	275	210	315	515
160M	160	254	210	108	42	110	12	37	15	300	250	350	0	19	5	330	335	265	385	610
160L	160	254	254	108	42	110	12	37	15	300	250	350	0	19	5	330	335	265	385	655
180M	180	279	241	121	48	110	14	42.5	15	300	250	350	0	19	5	355	380	285	430	670
180L	180	279	279	121	48	110	14	42.5	15	300	250	350	0	19	5	355	380	285	430	710
200L	200	318	305	133	55	110	16	49	19	350	300	400	0	19	5	395	420	315	475	775
225S	225	356	286	149	60	140	18	53	19	400	350	450	0	19	5	435	475	345	530	820
225M	225	356	311	149	60	140	18	53	19	400	350	450	0	19	5	435	475	345	530	845
250M	250	406	349	168	65	140	18	58	24	500	450	550	0	19	5	490	515	385	575	930
280S	280	457	368	190	75	140	20	67.5	24	500	450	550	0	19	5	550	585	410	640	1000
280M	280	457	419	190	75	140	20	67.5	24	500	450	550	0	19	5	550	585	410	640	1050



注:

1. 图为 B35 型图样, 机座带底脚, 端盖上有凸缘。
2. B3 型机座带底脚, 端盖上无凸缘, 无尺寸 M、N、P、R、S、T。
3. B5 型机座无底脚, 端盖上有凸缘, 无尺寸 A、B、C、AB。
4. 机座号 225 ~ 355 电机凸缘安装孔 S 为 8 孔均布。
5. R 为凸缘配合面至轴伸肩的距离。

Note:

1. The drawing is B35 type. There have housing feet and flange on end shield.
2. B3 type motors have frame feet but no flange, the dimensions have no M、N、P、R、S、T.
3. B5 type motors have flange but no frame feet, the dimensions have no A、B、C、AB.
4. There are eight symmetrical distributed holes for flange mounting on the FS225 ~ 355 motors.
5. R is the distance from the flange to the drive shaft end.

# 证书 Certificates

